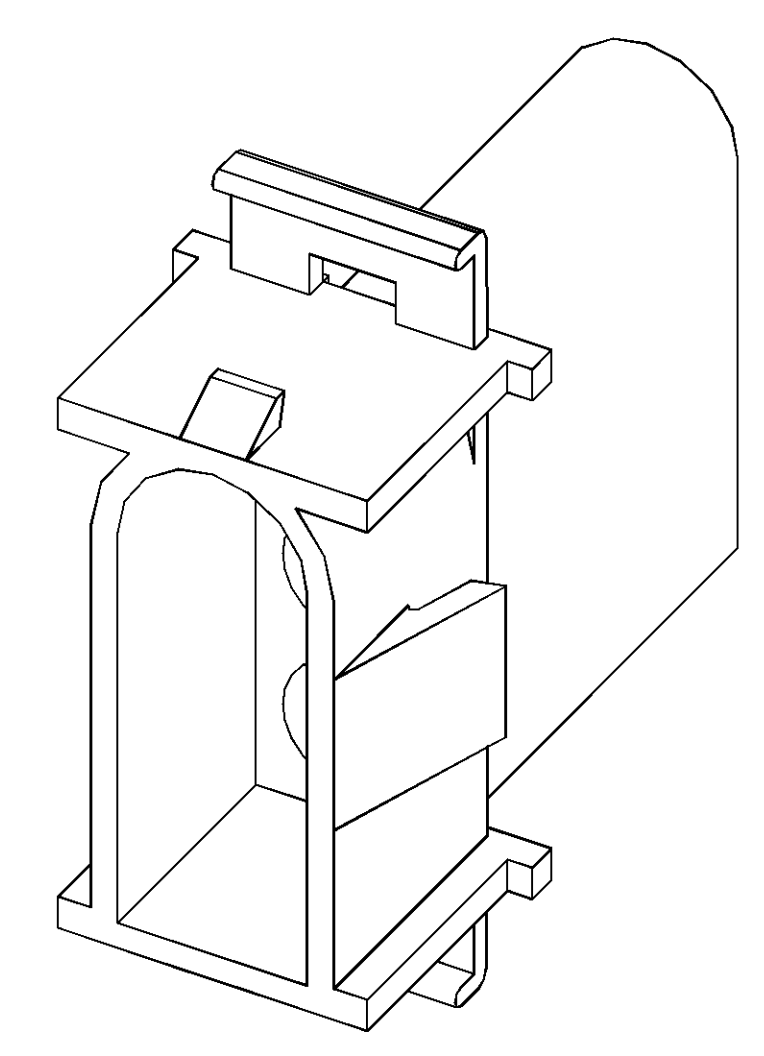
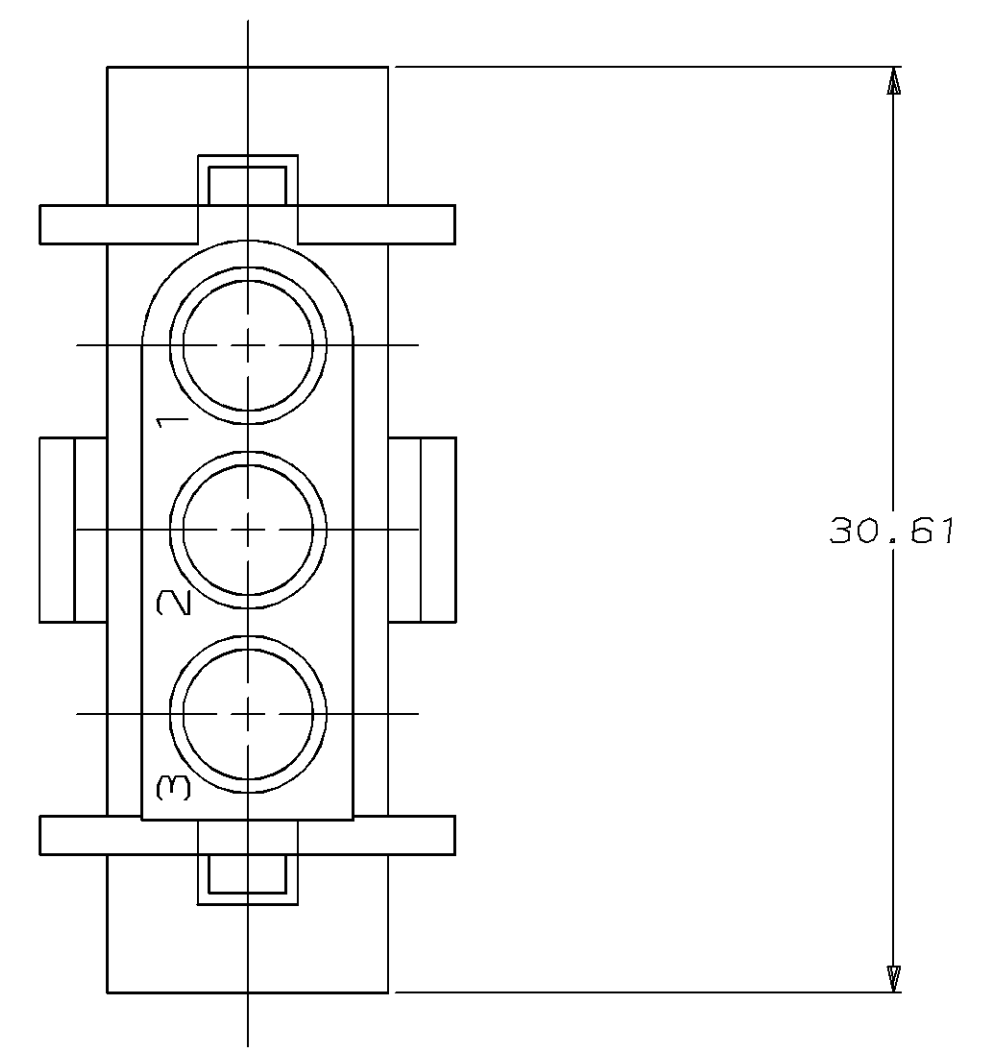
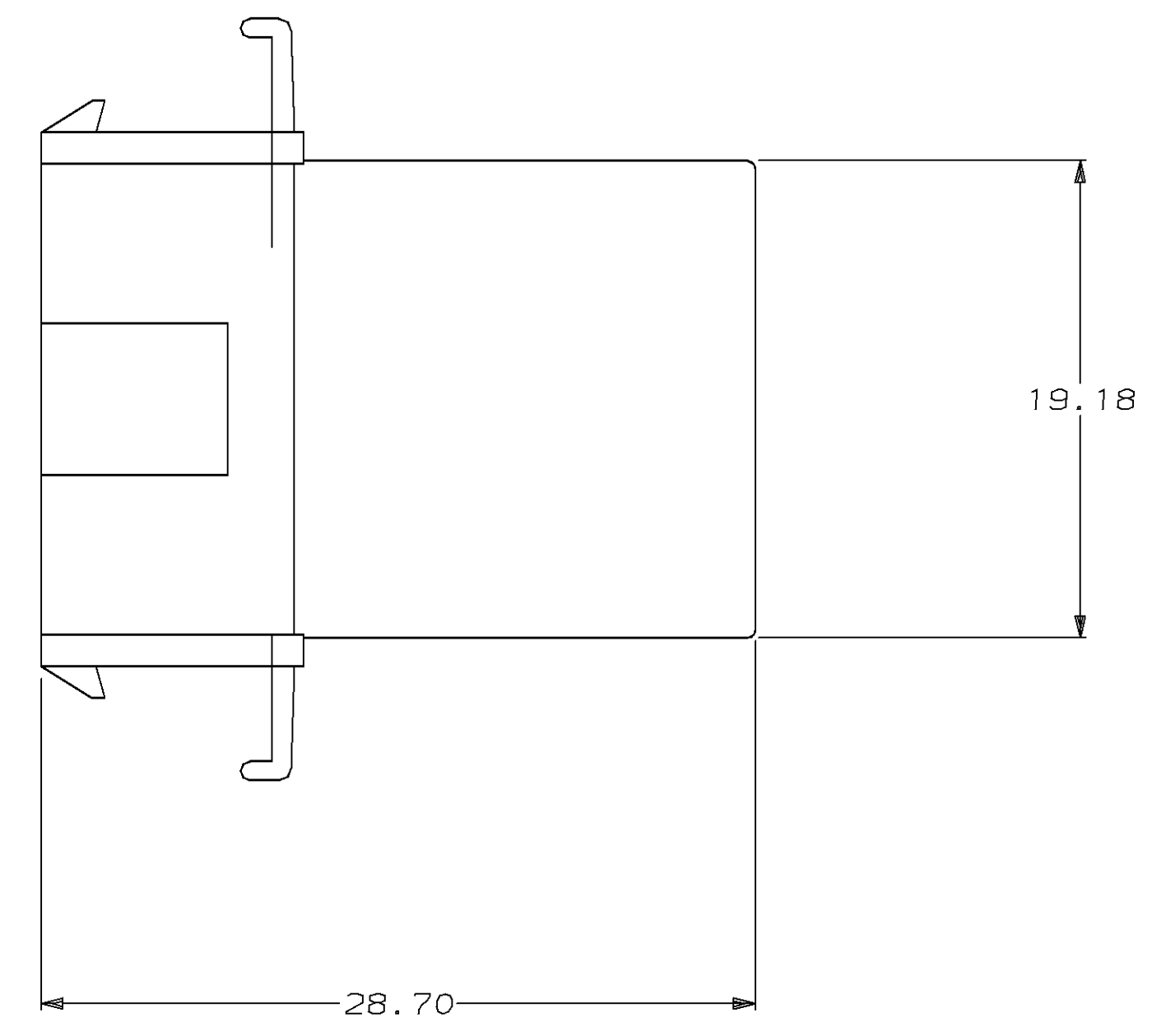
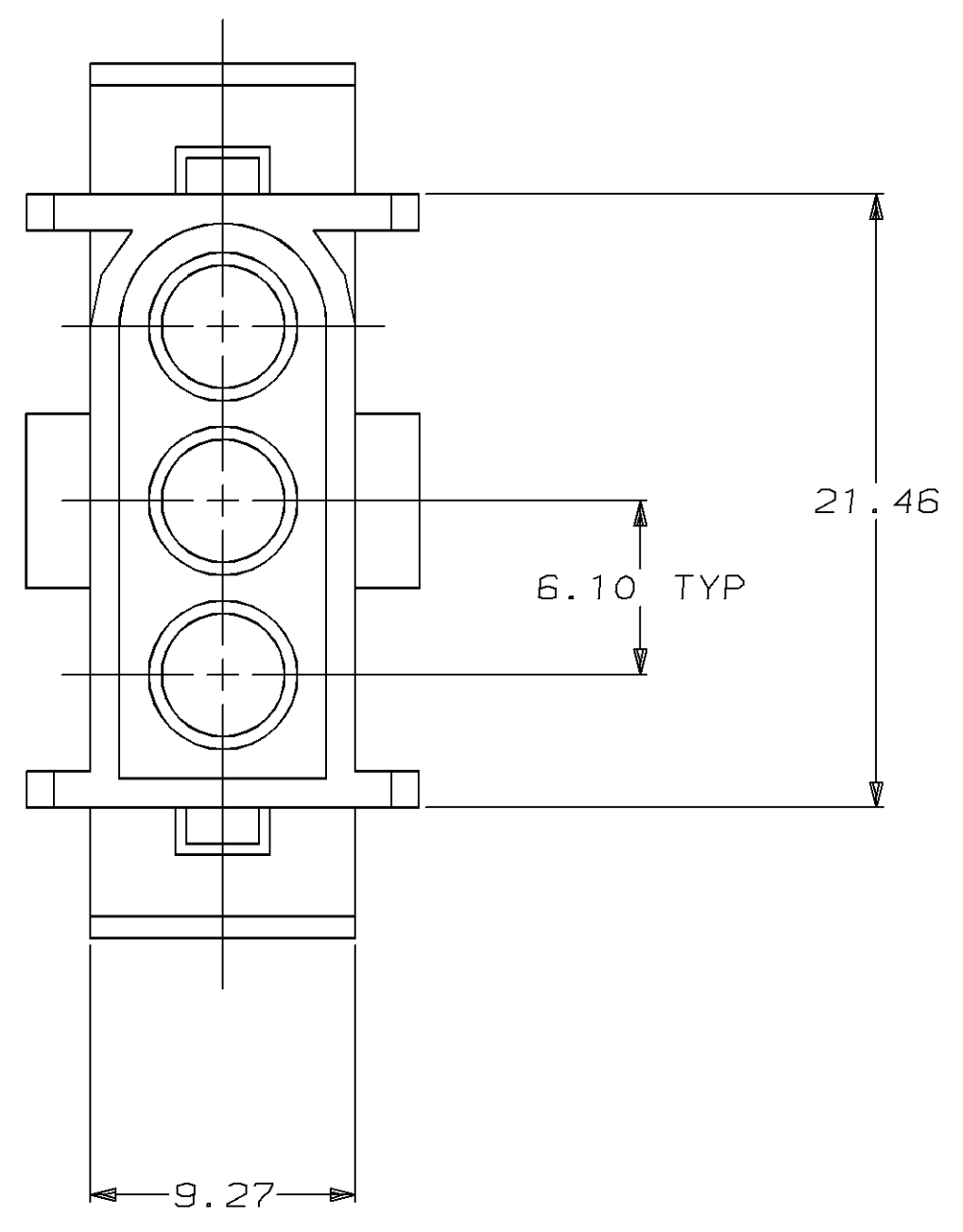
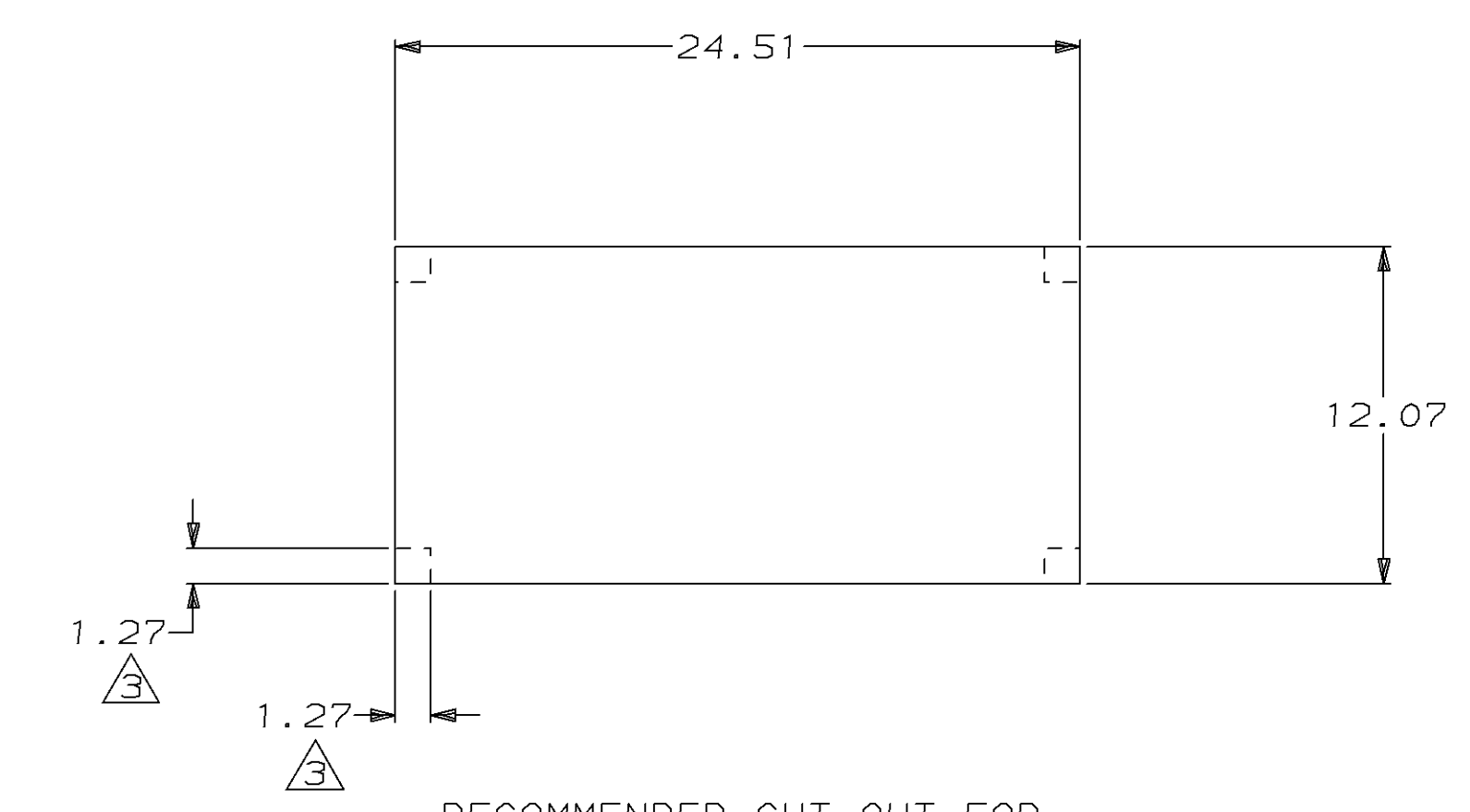
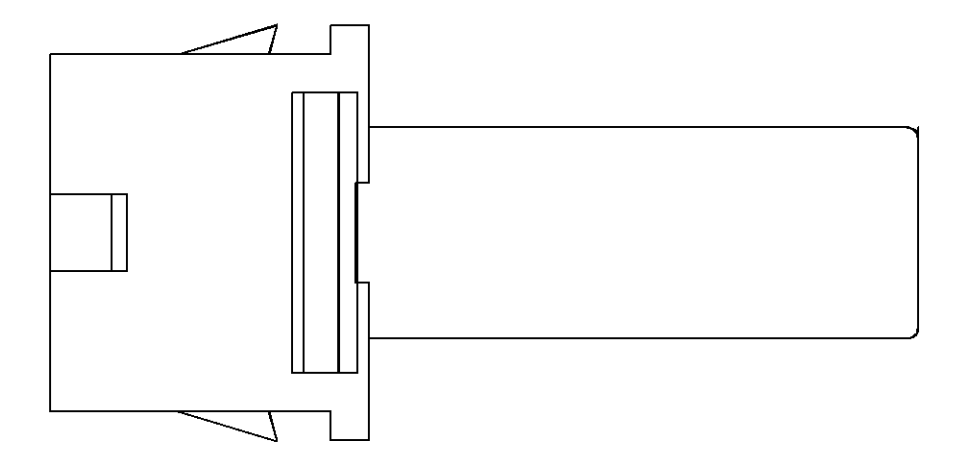


1. TO BE USED WITH .140 SERIES PINS.
2. TO BE USED WITH PLUG 350346.
3. 1.27 x 1.27 TABS IN CORNERS OF CUT-OUT ARE OPTIONAL TO REDUCE HOUSING FLOAT IN PANEL.



3-DIMENSIONAL MODEL  
NTS



RECOMMENDED CUT OUT FOR  
0.76 - 1.65 THICK PANEL

1-350347-0  
PART NUMBER

MM	IN	MM	IN	MM	IN
3.56	.140	21.46	.845	-	-
1.65	.065	19.18	.755	-	-
1.27	.050	12.07	.475	30.61	1.205
0.76	.030	9.27	.365	28.70	1.130
0.13	.005	6.10	.240	24.51	.965
MM	IN	MM	IN	MM	IN

CONVERSION TABLE



<small>THIS DRAWING IS A CONTROLLED DOCUMENT FOR AMP INCORPORATED. IT IS SUBJECT TO CHANGE AND THE CONTROLLING ENGINEERING REGULATION SHALL BE CONTACTED FOR THE LATEST REVISION.</small>		DWY: J. HUFFMAN 8-14-95 DSK: R. SWING 8-14-95 APYD: C. MARTIN 8-15-95	<b>AMP</b> AMP Incorporated Harrisburg, PA 17105-3608
DIMENSIONS: mm 	TOLERANCES UNLESS OTHERWISE SPECIFIED: Ø PLG ±.01 PLG ±.013 PLG ±.01 ANGLE ±.001 FINISH -	PRODUCT SPEC: - APPLICATION SPEC: - WEIGHT: -	NAME: CAP, 3 CIRCUIT .140 MATE-N-LOK™ SIZE: A1 CAGE CODE: 00779 DRAWING NO: C-350347
MATERIAL: NYLON, UL 94V-0, NATURAL	FINISH: -	CUSTOMER DRAWING	SCALE: 4:1 SHEET: 1 OF 1 REV: F